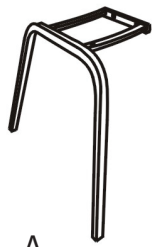


FOUNDRY CHAIR

Part # CH-FNDY XX+XX

18-0622

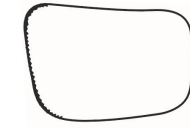
PARTS



A



B



C



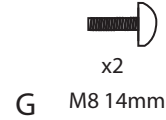
D



E



F



G M8 14mm



x2



x4

H M6 35mm



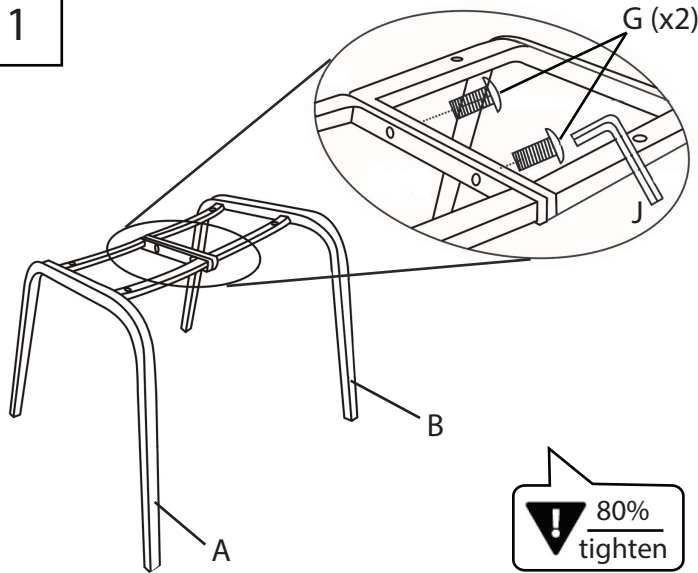
x8

I M6 20mm



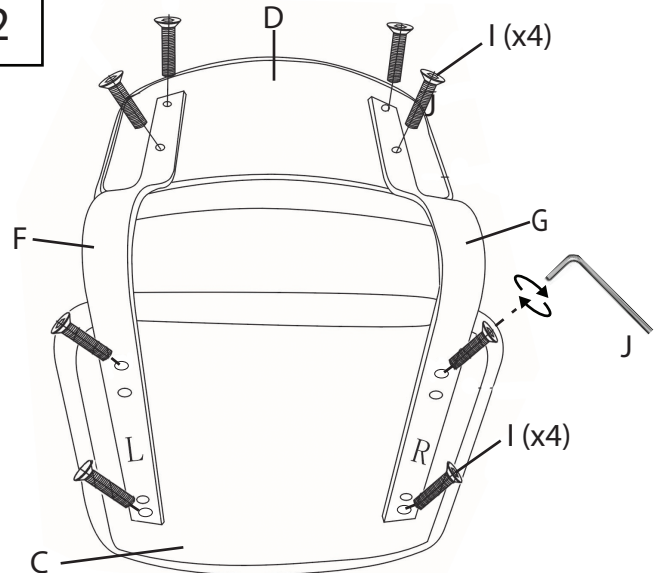
J

1

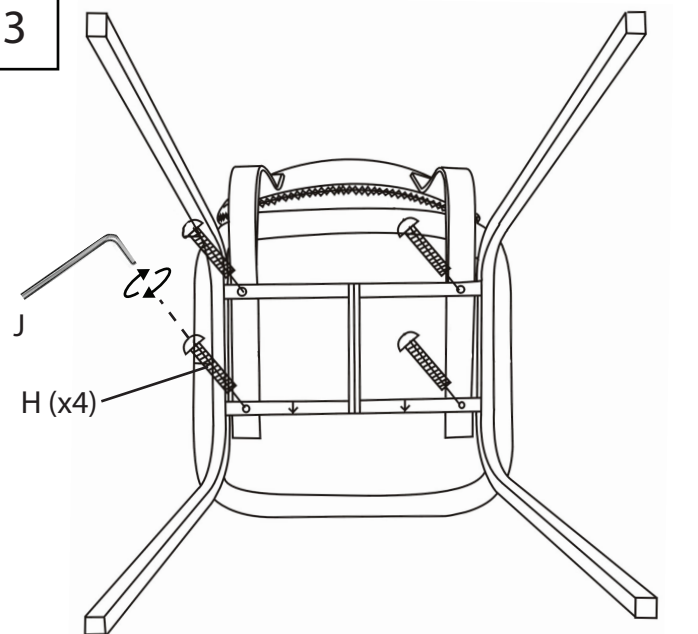


80%
tighten

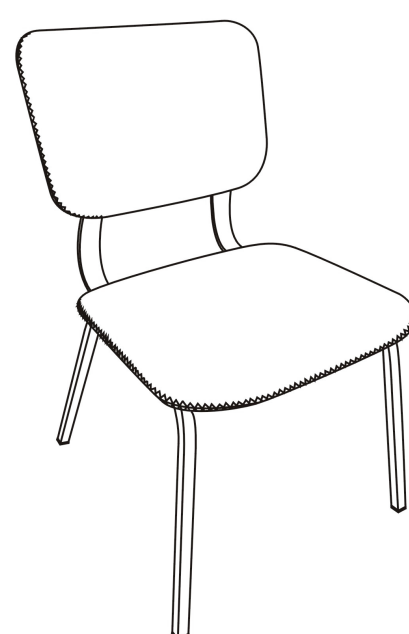
2



3



4



100%
tighten



Do not over tighten.
 Do not use power tools to assemble.